

# TapeMaster Configuration

How you currently manage your Volumes within your business structure determines what configuration is used when setting up TapeMaster for your company.

As Volumes cannot be moved between Customers careful consideration needs to be applied on how to set the Owner, Customers and Media types in TapeMaster. Getting the setup correct the in the first instance will not only save you time but also have TapeTrack conform to your Volume handling processes, instead of you having to adjust to fit the software.

## Common Scenarios And Configuration

TapeTrack is a highly customizable software product and the initial configuration depends on your business model.

Setup is divided into three sections on the Customer Tree in TapeMaster:

- Owner
- Customer
- Media

The owner is self-explanatory, the business that owns the software.

What constitutes a Customer varies by the setup required, but essentially is a self contained group of Volumes.

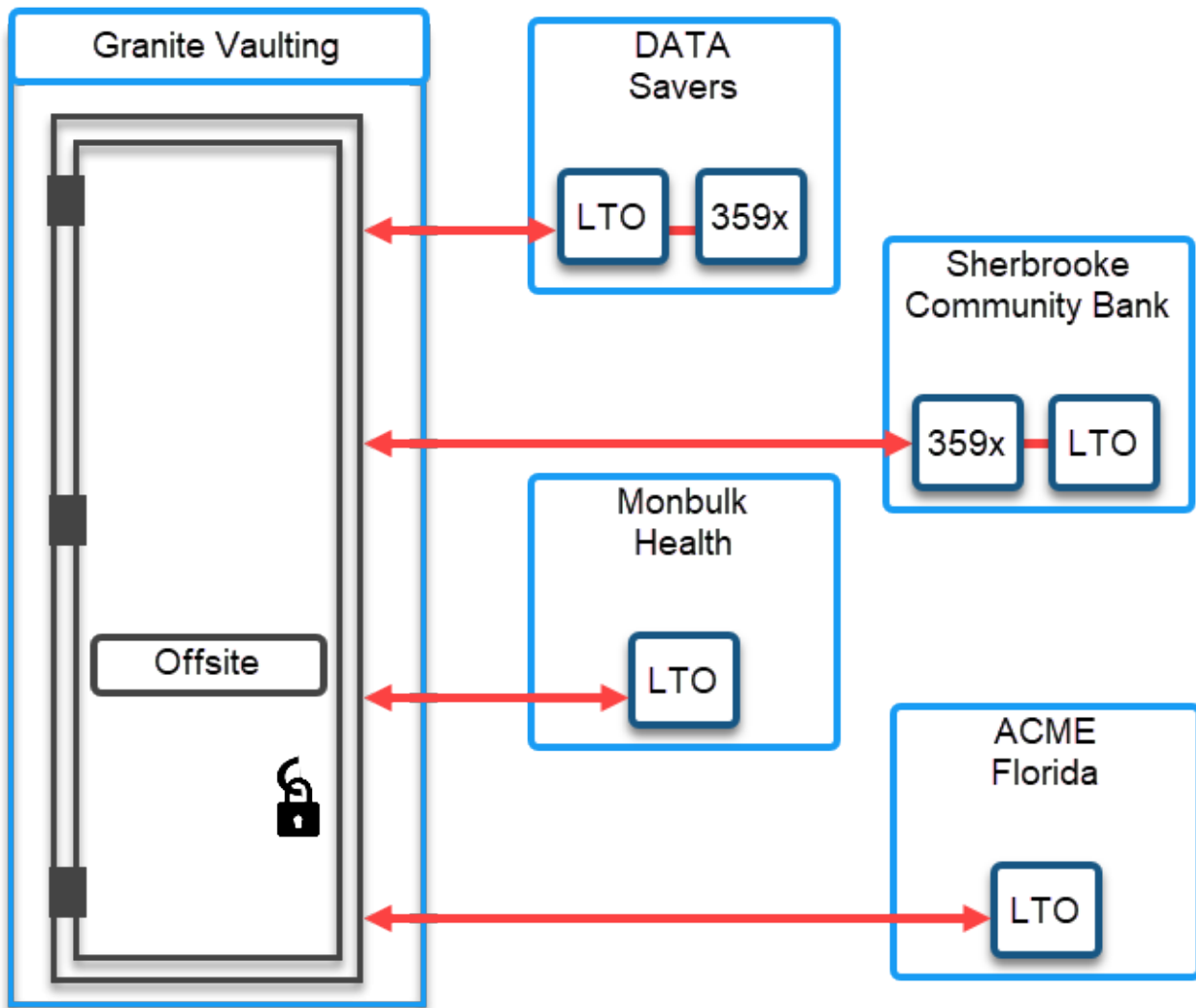
Media classes separate different types of media to simplify tape management and reporting.

## Offsite Vaulting Business

Offsite vaulting is probably the easiest model to plan out.

Lets use the example of an offsite vaulting business called Granite Vaulting. So the owner of the TapeTrack installation is Granite Vaulting.

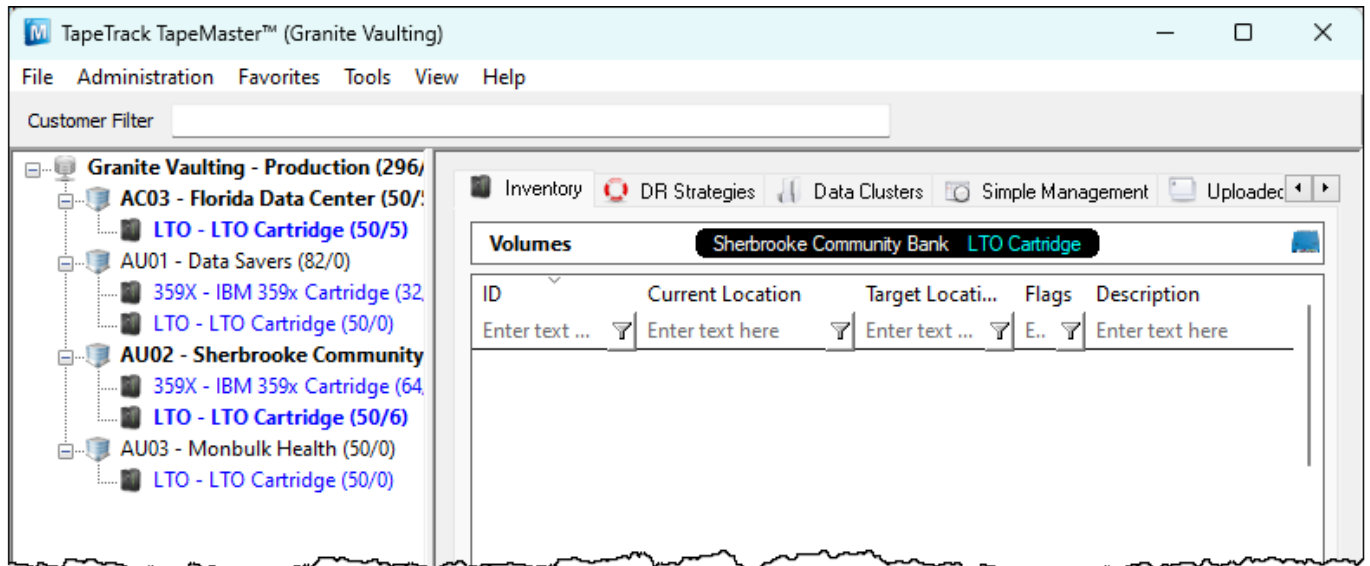
Granite vaulting then has several data companies that use them for offsite Volume storage. These companies are now included in TapeMaster as Customer, each company being an individual Customer in TapeTrack because although all Customers send their Volumes to the vault, they are always kept within their own pools and never shared between each other.



Granite Vaulting has four clients that they currently vault for:

- Data Savers
- Sherbrooke Community Bank
- Monbulk Health
- ACME Florida

These Clients are listed on TapeMaster as Customers. The Customers are then assigned media types based on what Media types are vaulted.



As new clients are procured, a new Customer is added to TapeMaster to

From:  
<https://rtfm.tapetrack.com/> - **TapeTrack Documentation**

Permanent link:  
[https://rtfm.tapetrack.com/planning/tapemaster\\_configuration?rev=1725584845](https://rtfm.tapetrack.com/planning/tapemaster_configuration?rev=1725584845)

Last update: **2025/01/21 22:07**

