

TapeMaster Configuration

How you currently manage your Volumes within your business structure determines what configuration is used when setting up TapeMaster for your company.

As Volumes cannot be moved between Customers careful consideration needs to be applied on how to set the Owner, Customers and Media types in TapeMaster. Getting the setup correct the in the first instance will not only save you time but also have TapeTrack conform to your Volume handling processes, instead of you having to adjust to fit the software.

Common Scenarios And Configuration

TapeTrack is a highly customizable software product and the initial configuration depends on your business model.

Setup is divided into three sections on the Customer Tree in TapeMaster:

- Owner
- Customer
- Media

The owner is self-explanatory, the business that owns the software.

What constitutes a Customer varies by the setup required, but essentially is a self contained group of Volumes.

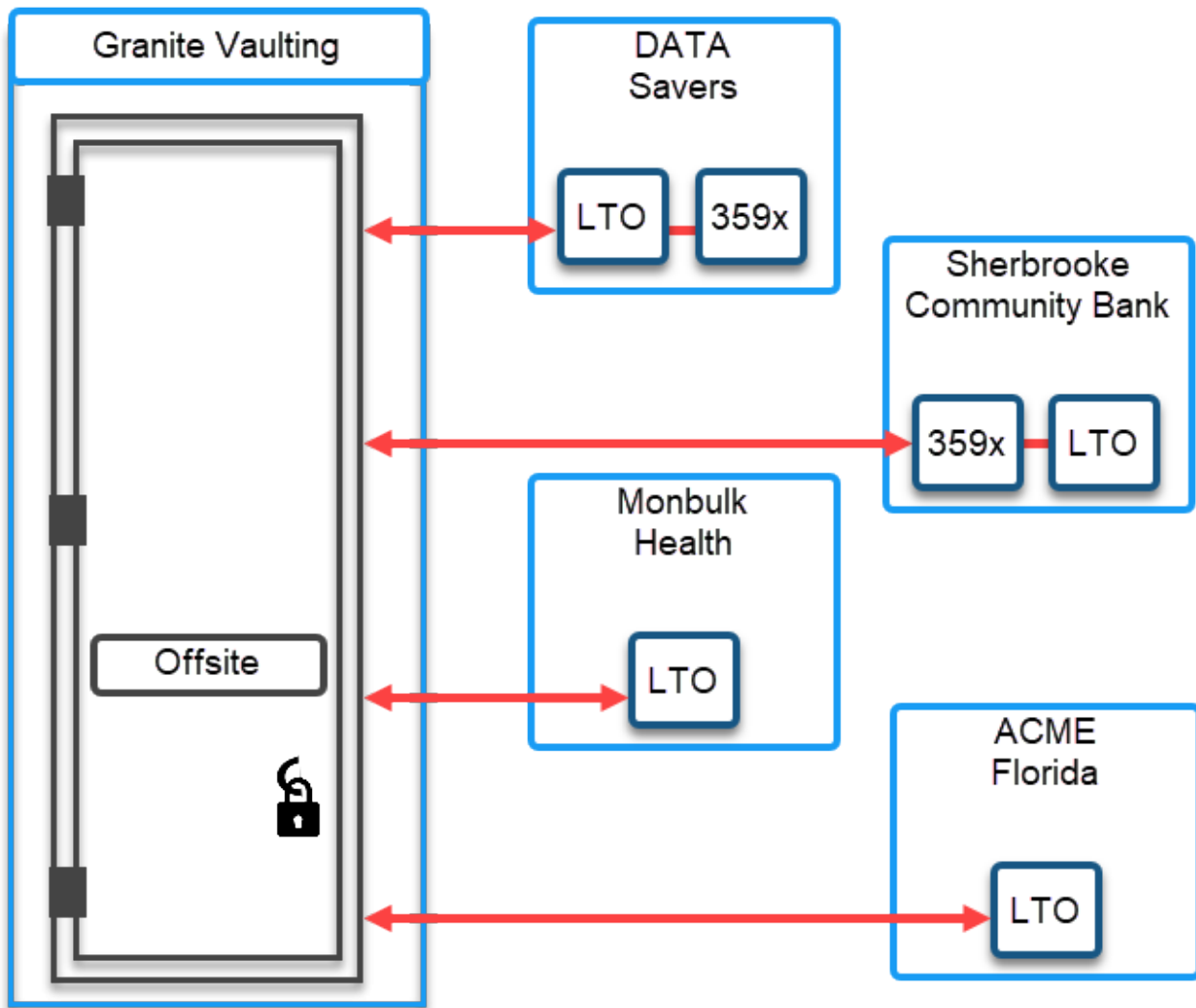
Media classes separate different types of media to simplify tape management and reporting.

Offsite Vaulting Business

Offsite vaulting is probably the easiest model to plan out.

Lets use the example of an offsite vaulting business called Granite Vaulting. So the owner of the TapeTrack installation is Granite Vaulting.

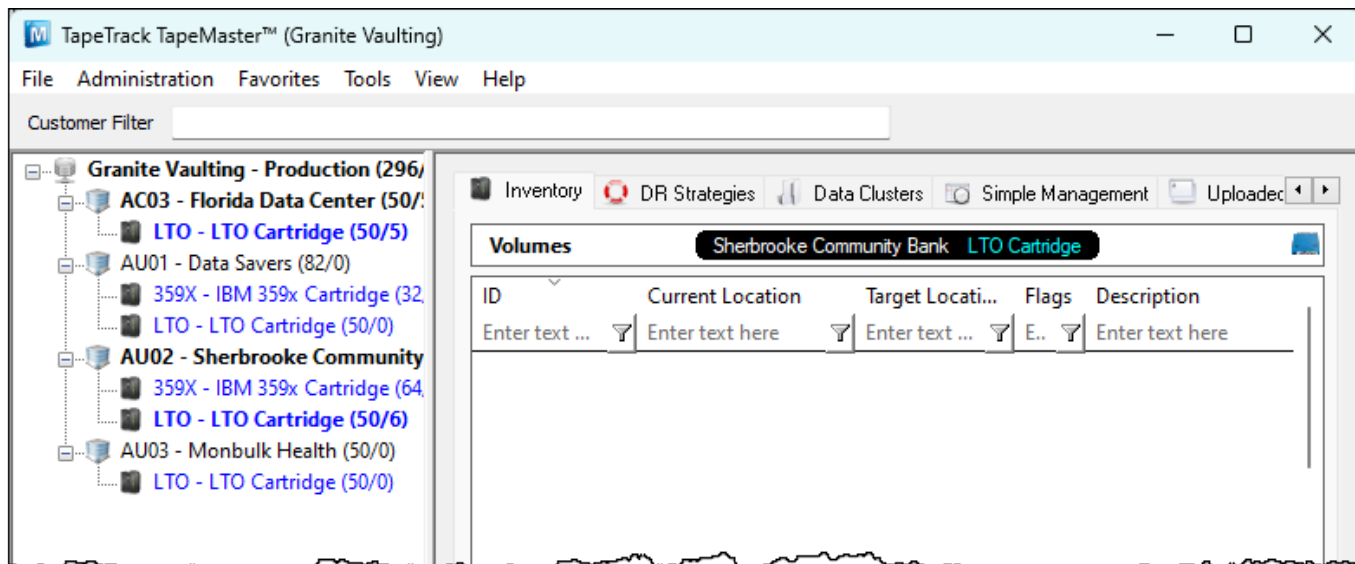
Granite vaulting then has several data companies that use them for offsite Volume storage. These companies are now included in TapeMaster as Customer, each company being an individual Customer in TapeTrack because although all Customers send their Volumes to the vault, they are always kept within their own pools and never shared between each other.



Granite Vaulting has four clients that they currently vault for:

- Data Savers
- Sherbrooke Community Bank
- Monbulk Health
- ACME Florida

These Clients are listed on TapeMaster as Customers. The Customers are then assigned media types based on what Media types are vaulted.



As new clients are procured, a new Customer is added to TapeMaster for each of them.

Now that we have the Customers added, the next step is to add locations on where the Volumes can be in the Volume cycle between the vault and the Customers. The different locations the Volumes can be, are represented in TapeMaster as Repositories. Each Repository depicts one location, in this case either at the vault or at the Customer. Although the Customers may have many locations (Library, GemTracs, Scratch racking etc) it makes no difference to the vault where the Customer places the Volumes when they have them, only whether they are at or in transit to or from, the vault or the customer.

Two Repositories are added to each Customers Media types:

- Granite Vaulting
- Customer

TapeTrack TapeMaster™ (Granite Vaulting)

File Administration Favorites Tools View Help

Customer Filter

Granite Vaulting - Production (296/)

- AC03 - Florida Data Center (50/)
- LTO - LTO Cartridge (50/5)
- AU01 - Data Savers (82/0)
- 359X - IBM 359x Cartridge (32)
- LTO - LTO Cartridge (50/0)
- AU02 - Sherbrooke Community
- 359X - IBM 359x Cartridge (64)
- LTO - LTO Cartridge (50/6)
- AU03 - Monbulk Health (50/0)
- LTO - LTO Cartridge (50/0)

Inventory DR Strategies Data Clusters Simple Management Uploaded

Volumes Sherbrooke Community Bank LTO Cartridge

ID	Current Location	Target Locati...	Flags	Description
Enter text ...	Enter text here	Enter text ...	E..	Enter text here

Total Items 50 Total Selected 1 First Selection 23

Repositories

Granite Vaulting Customer

Connection 127.0.0.1 uses AES 256 bit encryption

From:
<https://rtfm.tapetrack.com/> - TapeTrack Documentation

Permanent link:
https://rtfm.tapetrack.com/planning/tapemaster_configuration?rev=1725585459

Last update: 2025/01/21 22:07

